

FAG

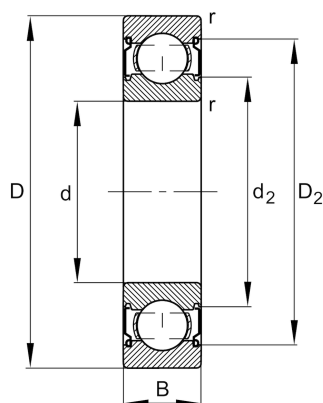
**6205-C-2Z**

Deep groove ball bearing

Schaeffler ID:  
0949834700000

Deep groove ball bearing 62...-C-2Z, single row, Generation C, shields, steel sheet metal cage

## Technical information

**Dimensions**

$r_{\min}$	1 mm	Minimum chamfer dimension
$D_2$	46.4 mm	Caliber diameter outer ring
$d_2$	31.4 mm	Caliber diameter inner ring
	0.13 kg	Weight

**Main Dimensions & Performance Data**

$d$	25 mm	Bore diameter
$D$	52 mm	Outside diameter
$B$	15 mm	Width
$C_r$	15,900 N	Basic dynamic load rating, radial
$C_{0r}$	7,800 N	Basic static load rating, radial
$C_{ur}$	530 N	Fatigue load limit, radial
$n_G$	18,400 1/min	Limiting speed
$n_{gr}$	16,000 1/min	Reference speed

**Mounting dimensions**

$d_{a\min}$	30.6 mm	Minimum diameter shaft shoulder
$D_{a\max}$	46.4 mm	Maximum diameter of housing shoulder
$r_{a\max}$	1 mm	Maximum fillet radius

**Calculation factors**

$f_0$	13.8	Calculation factor
-------	------	--------------------

**Temperature range**

$T_{\min}$	-20 °C	Operating temperature min.
$T_{\max}$	120 °C	Operating temperature max.

